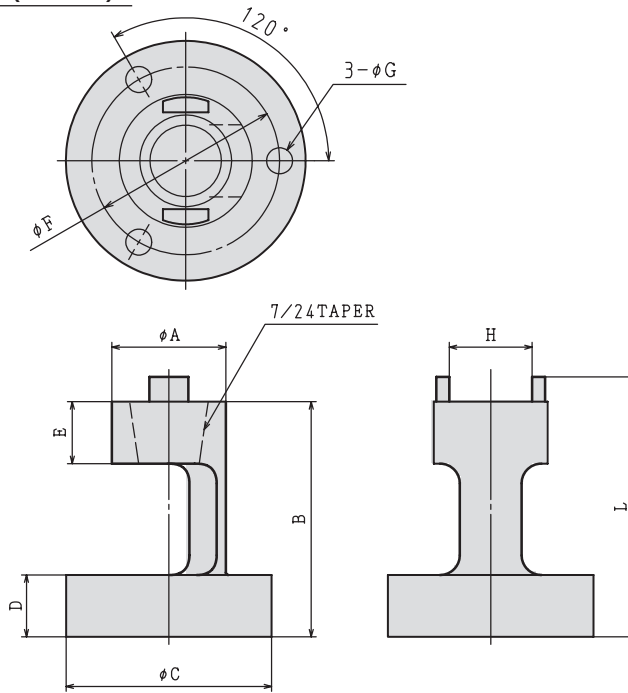
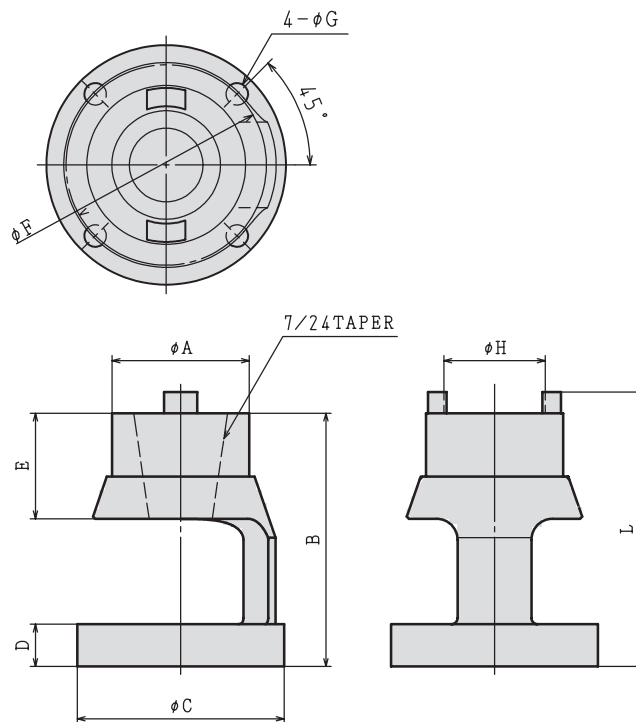


# LOCKING FIXTURE

## 3 Holes(LF30)



## 4 Holes(LF40,LF50)



MODEL	CODE	TAPER	A	B	C	D	E	F	G	H	L	N/W (kg)
LF30	35905	NT30	46	95	83	25	25	65	9	33.5	105	1.2
LF40	35907	NT40	65	120	98	20	50	82	9	48	130	4.4
LF50	35909	NT50	95	175	128	25	70	115	9	77.6	187	9.0

### ORDERING EXAMPLE

① LF - ② 30

- ① Name
- ② NT No.